

*Human Powered Aircraft Group*

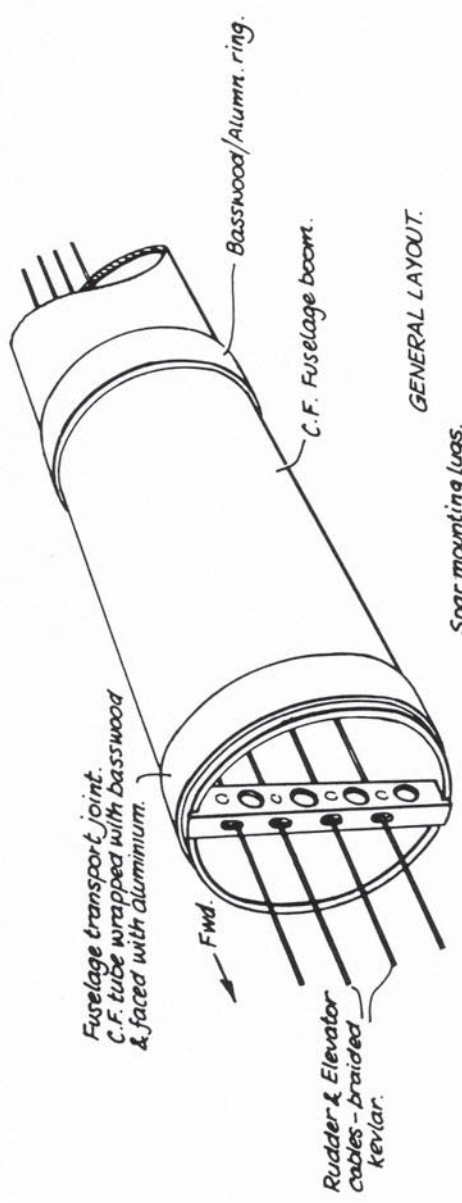
# Daedalus Drawings

By

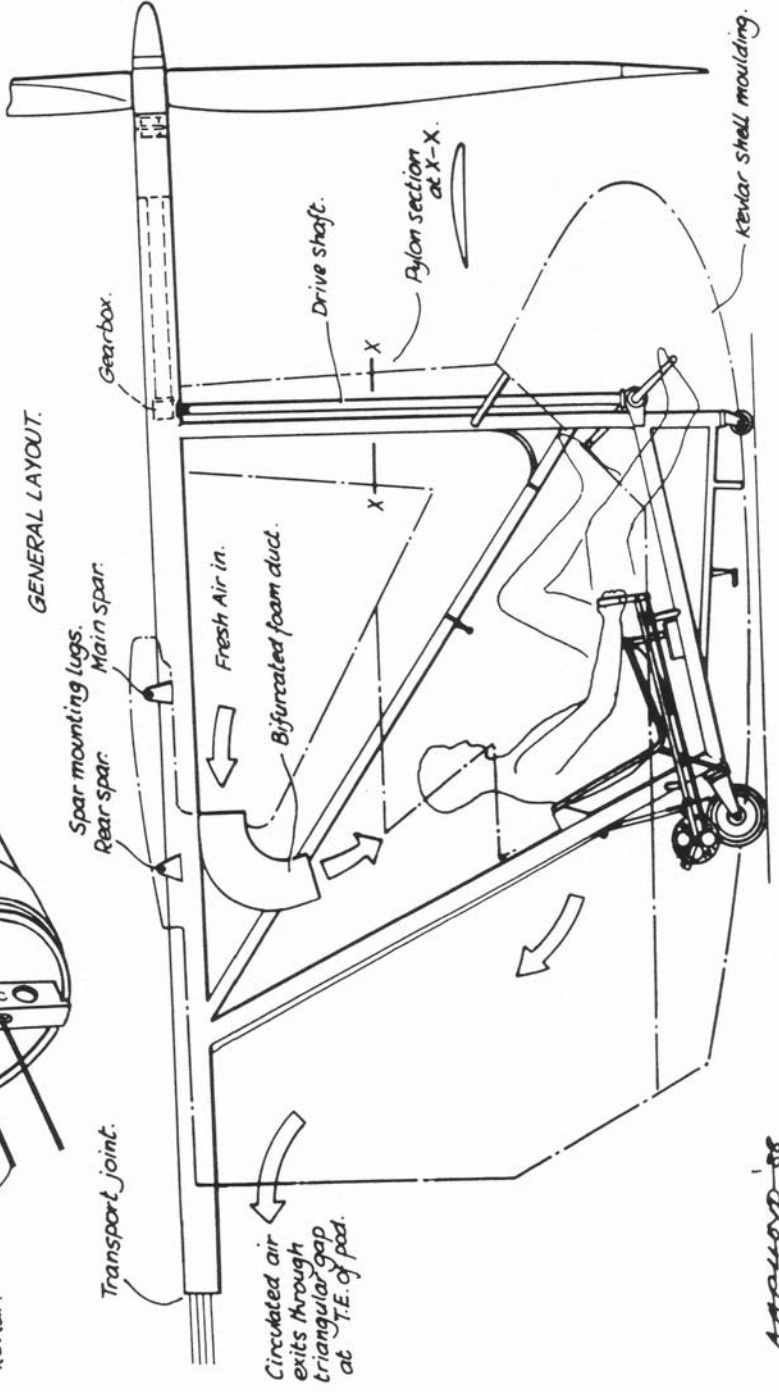
A. A. P. Lloyd

September 1988

Royal Aeronautical Society  
4 Hamilton Place London



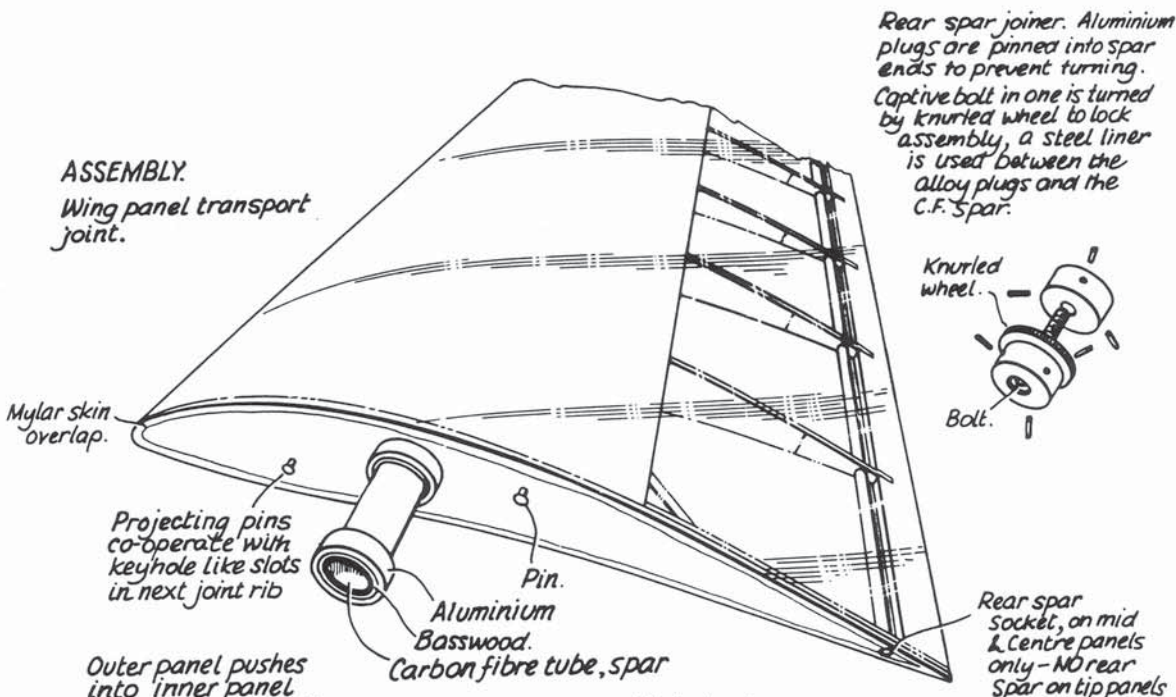
GENERAL LAYOUT.



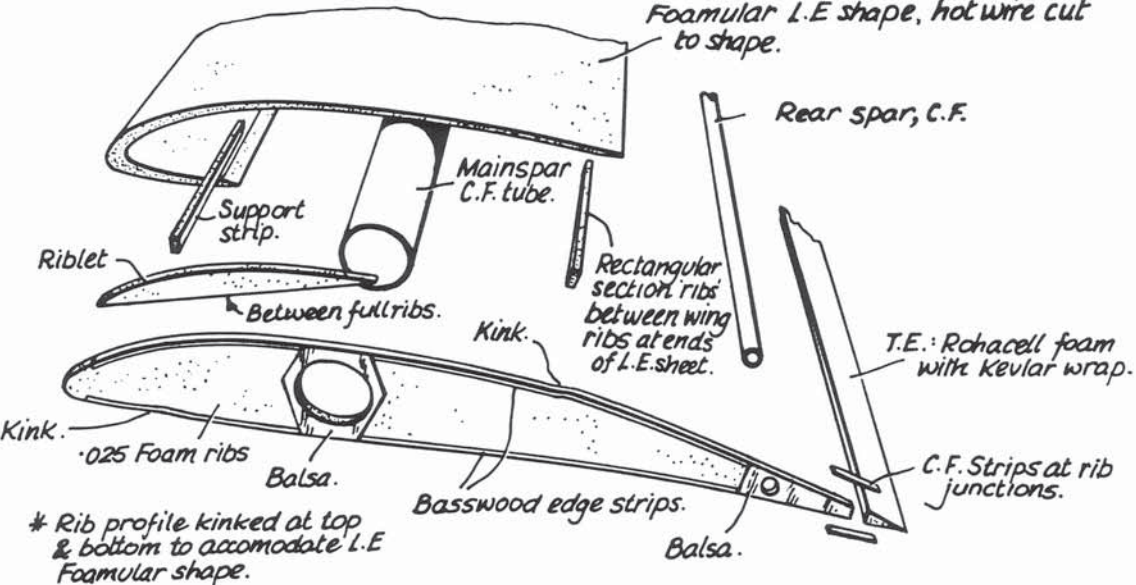
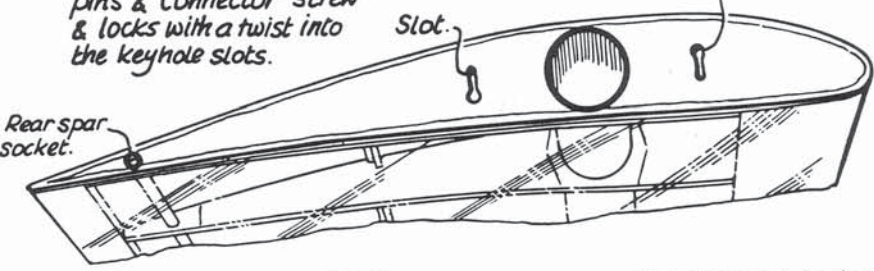
AARLLOV-88

**ASSEMBLY:**

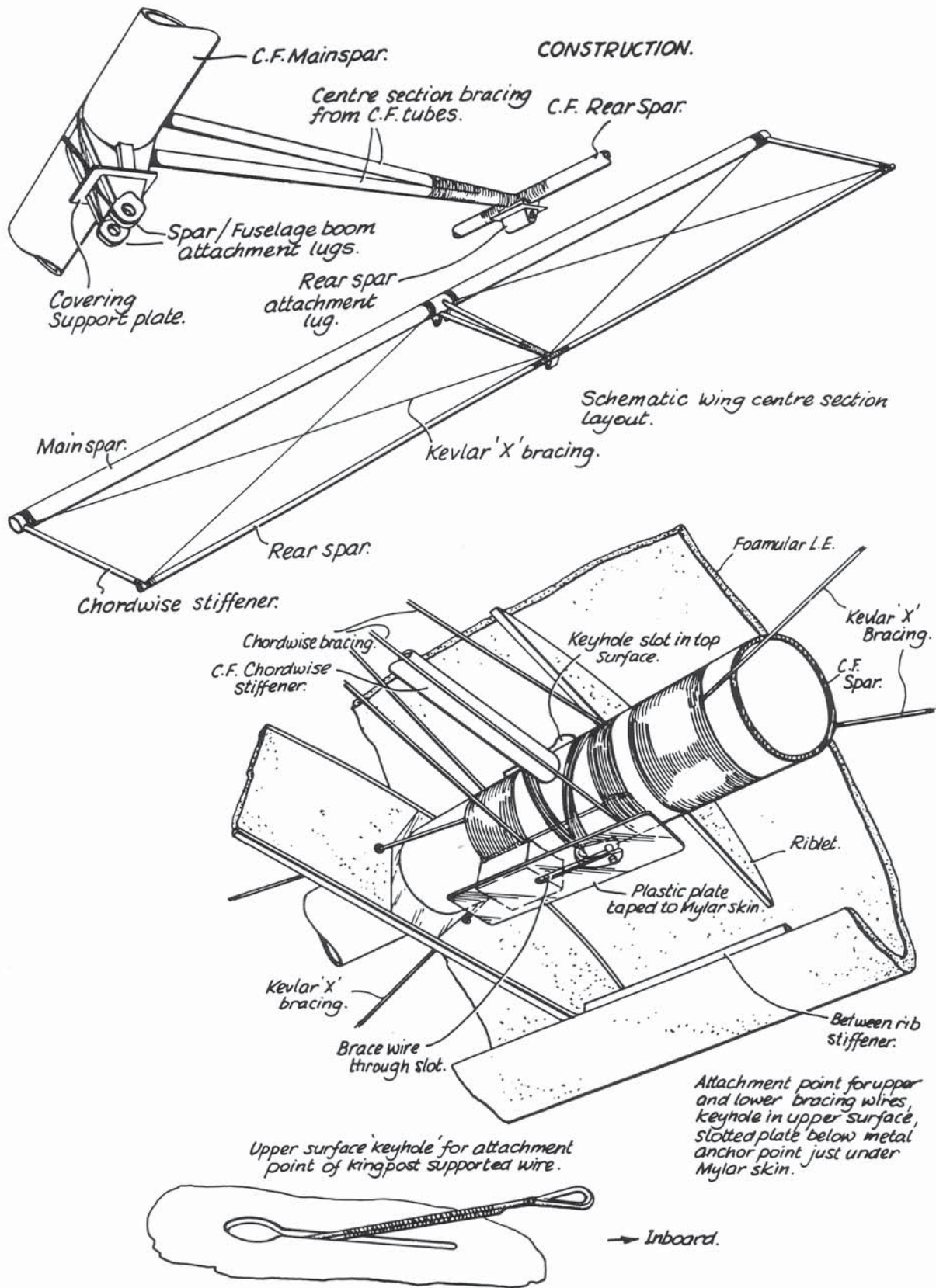
Wing panel transport joint.



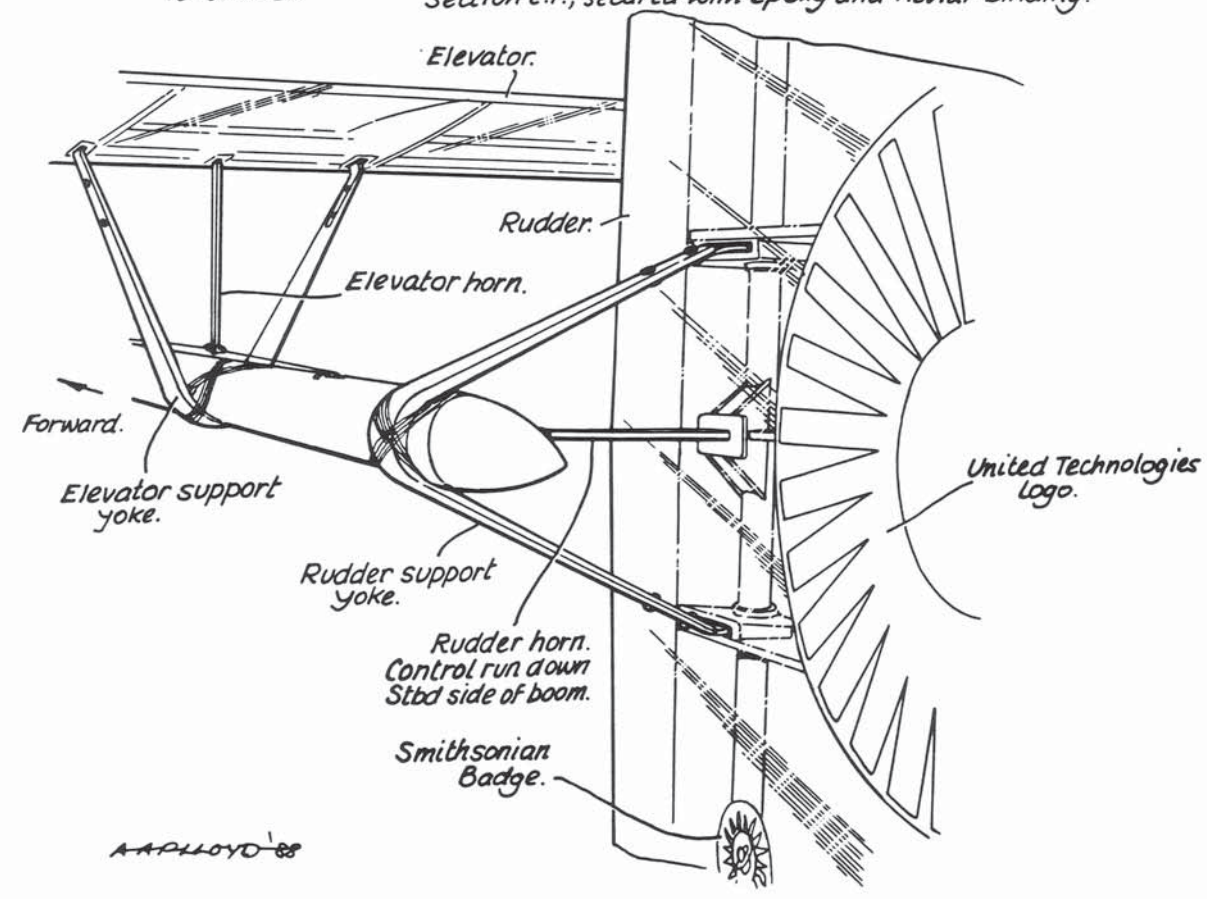
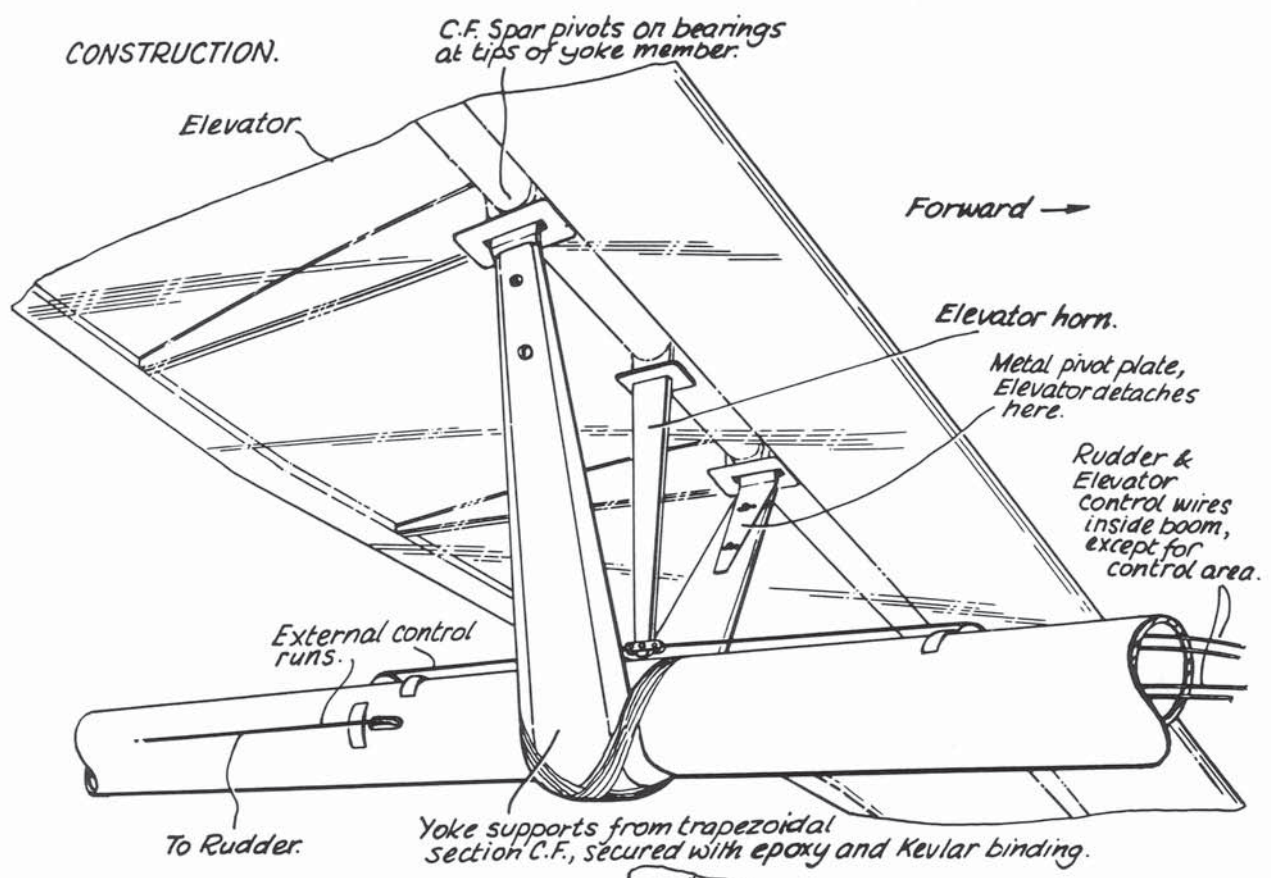
Outer panel pushes into inner panel spar tube, then aligns pins & Connector screw & locks with a twist into the keyhole slots.



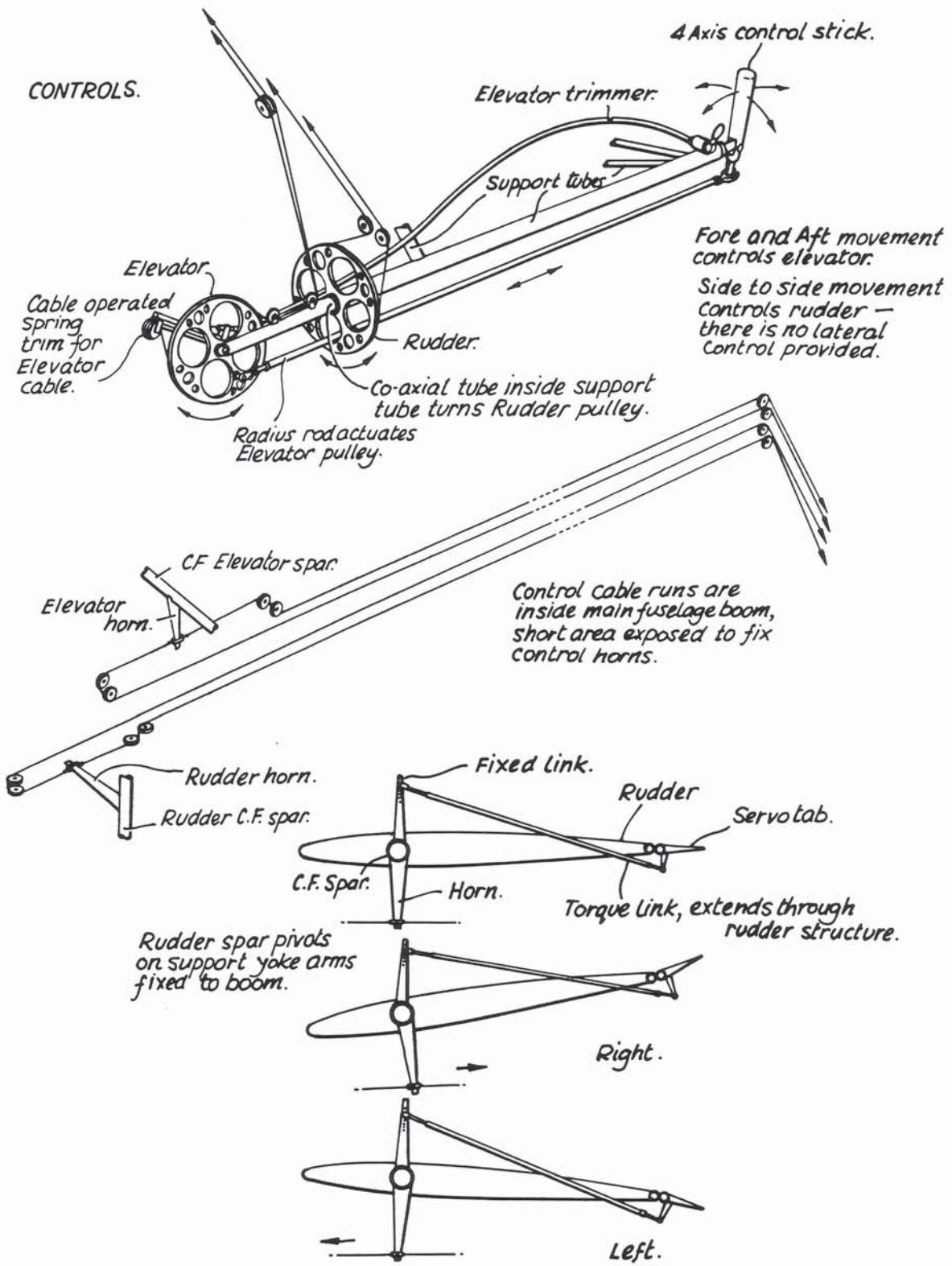
AAPLLO 08

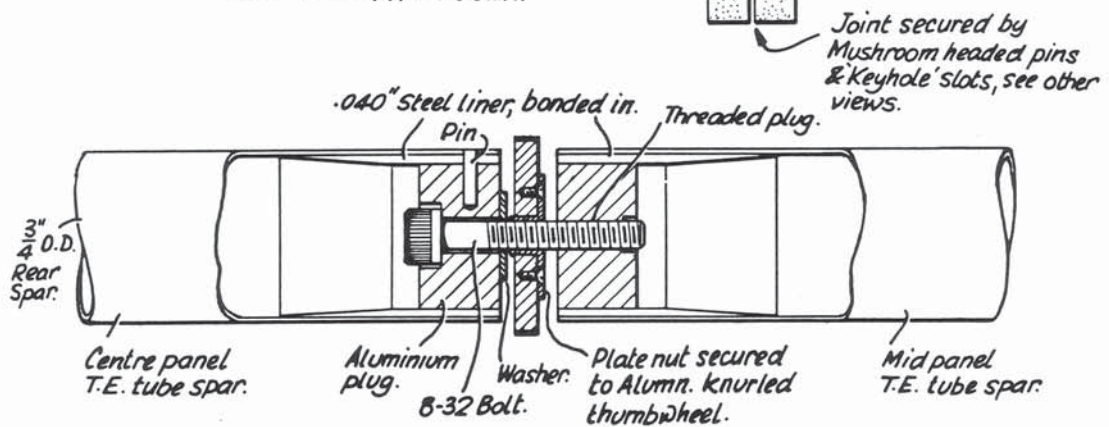
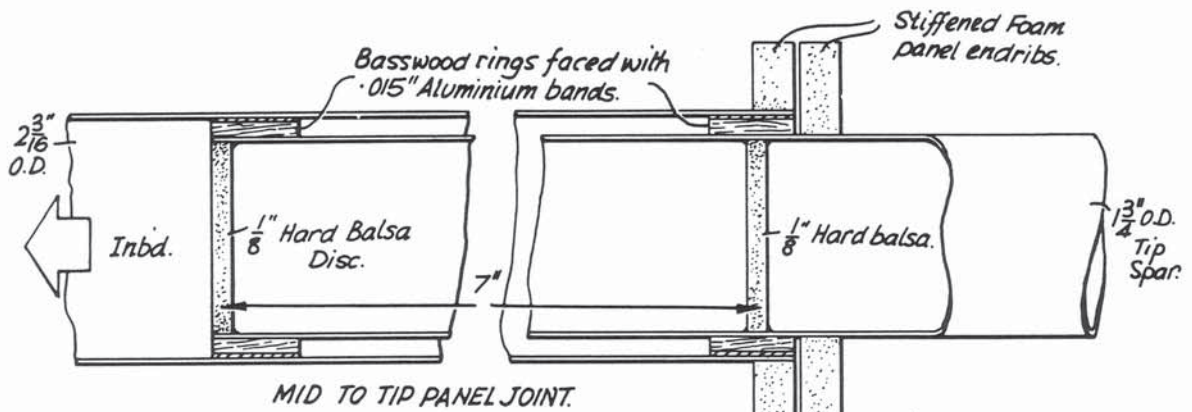
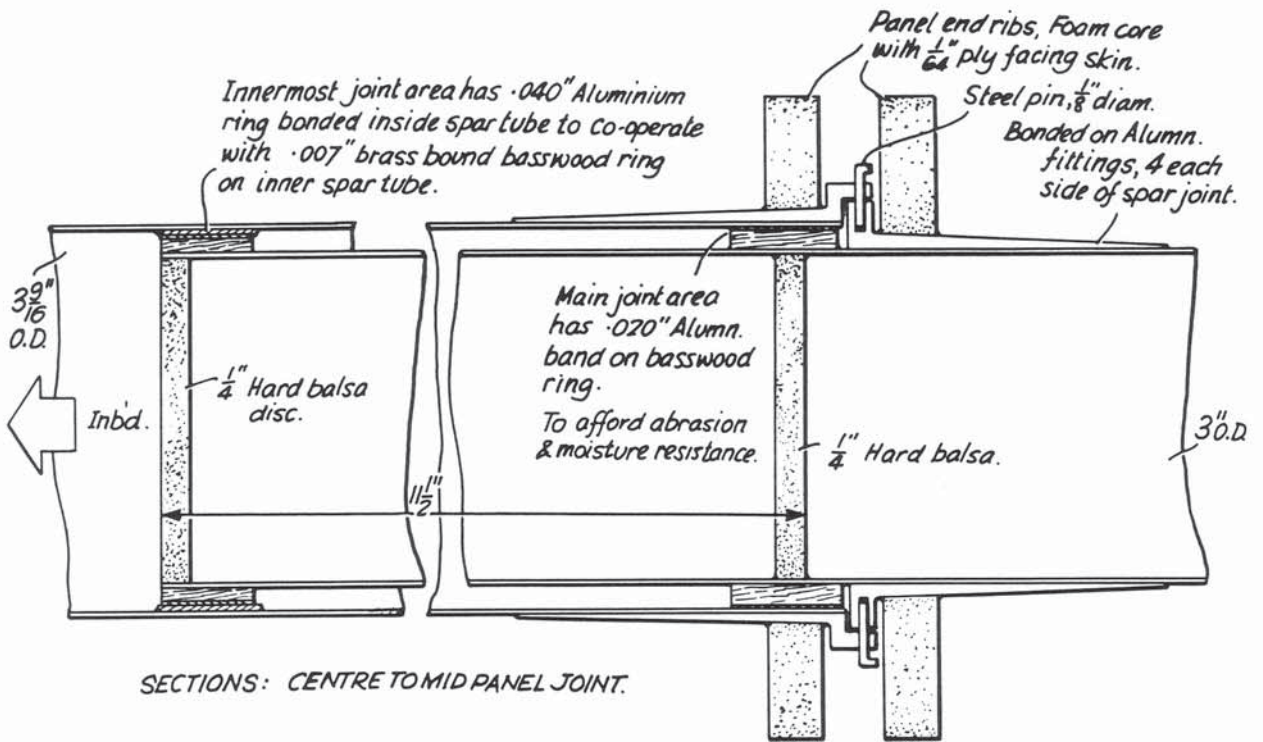


A. APLOYD '88.



AAPLOYD '88





REAR SPAR JOINT: NB NO REAR SPAR IN TIP PANEL.

A.A.P. 11670 '88

